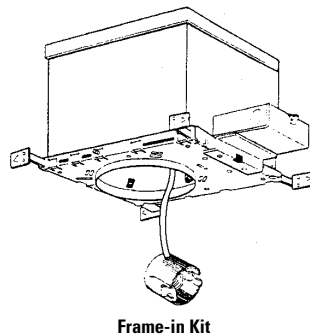
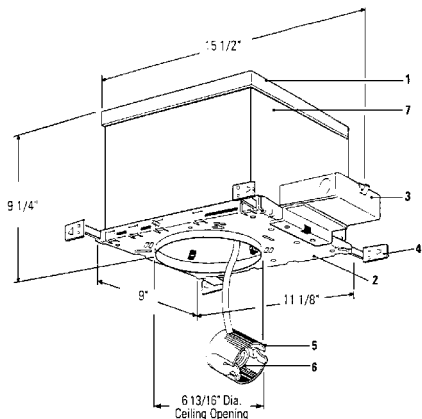


Lytecaster® Recessed Downlighting **1100DICM**



Reflector Trim

Frame-in Kit

Complete Fixture consists of Reflector Trim & Frame-In Kit. Select each separately.

Frame-In Kit	Reflector Trims — See Individual Reflector Trim Specification Sheets									
	Open Downlight					Adjustable			Enclosed Diffusers	Wall Washer
	Reflector	Satin Cone	Sloped Ceiling	Baffles	Basic White	Cross Blade	Recessed Line Volt.	Recessed Low Volt.		
1100DICM	1143	1108†	1131	1105†	1170M1	1132	1127	1152	1121	1135
	1144	1110†	1131WH	1105WH	1171	1132A	1127BK	1155	1124	1135WH
	1144CD		1131GD	1176			1127WH	1155WH	1126	1185
	1145		1131CL	1176WH			1129†	1161	1128	1186
	1146		1131BK	1179M1			1129CD†	1161WH	1134	1186WH
	1146CD		1133	1179WH			1129WH	1163	1177SH	
			1133WH	1105BNM			1129CL†	1164	1178SH	
			1133GD				1129BK†		1190	
			1133CL				1129GD†			
			1133BK				1138			
							1148			
							Eyeball:			
						1122				
						1122WH				
						1123				
						1123WH				
						1182				

† Add NM to catalog number for Natural Metal Flange finish

Features

- Housing:** Walls .032" aluminum. Cover .026" galvanized steel. UL listed for direct contact with thermal insulation reduces heat loss. Access door for inspection of junction box.
- Mounting Frame:** .036" (#20 ga.) galvanized steel. Accommodates all ceilings up to 1" thick. 3/8" deep integral lip. Four slots are positioned 90° apart to simplify alignment. Push-in/twist-out rotoclips hold reflector flush to ceiling.
- Junction Box:** 2" X 4" X 4": .063" (#14 ga.) galvanized steel. UL listed for maximum of 6 No. 12 ga., 90° C through branch circuit conductors. Quick release "L" shaped cover for outside access to wiring. Access door inside of housing allows easy inspection of wiring without removal of housing. Integral cable clamps permit attachment of nonmetallic, Romex® without the need for additional connectors.
- Mounting Bars:** .059" (#16 ga.) galvanized steel. Bars pivot for easy attachment and wire-in below ceiling line. Bars extend to accommodate 16" to 24" O. C. joist spacing and feature integral nail for secure attachment to wood construction. Attaches to T-bar ceilings without the need of accessories.
- Socket Housing:** Galvanized steel.
- Socket:** Porcelain medium base; nickel plated screw shell. Pre-wired with #18 ga. SF1 leads to junction box.
- Thermal Protector:** Meets NEC and UL requirements. Located inside housing.

Options & Accessories

- Extra-Thick Ceiling Mounting Ring:** 1967A - up to 2" thick ceiling.
- 277V Remote Step-Down Transformer:** 7997 - 277v down to 120v 300W max. load.

Labels

UL (Suitable for Damp Locations).

Romex® is a registered trademark of General Cables Industries Inc.
US Patent Nos. 4,313,154; 5,045,985; 4,751,624

Job Information	Type:
Job Name:	
Cat. No.:	
Lamp(s):	
Notes:	

Lightolier a Genlyte company www.lightolier.com
 631 Airport Road, Fall River, MA 02720 • (508) 679-8131 • Fax (508) 674-4710
 We reserve the right to change details of design, materials and finish.
 © 2006 Genlyte Group LLC • F0906